

# BUTLER

SPECIALTY COMPANY

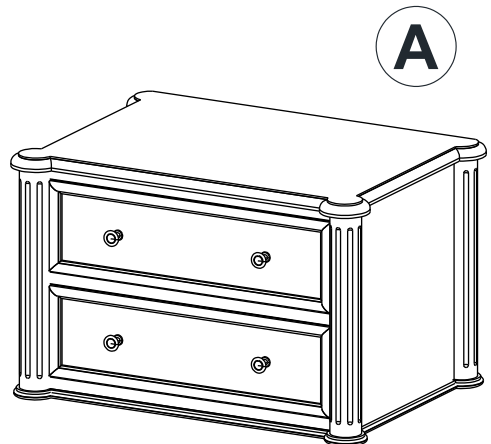
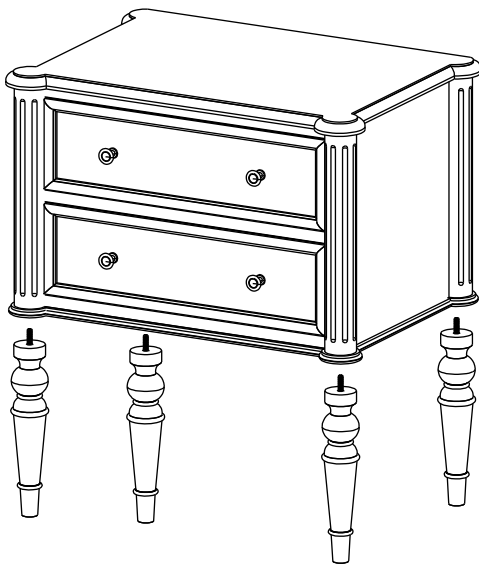
Est. 1930

Assembly Instructions

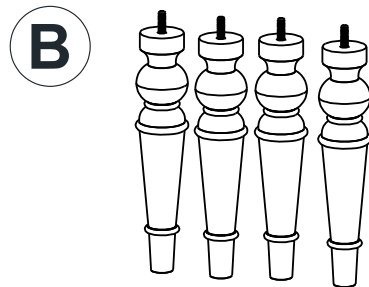
5999513

5999512

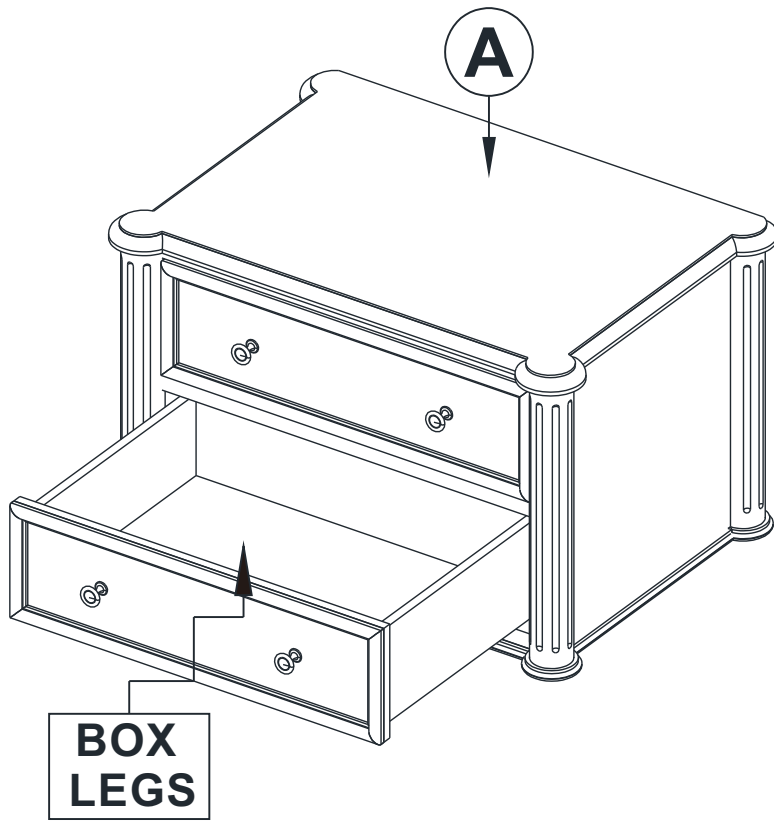
Nightstand



ITEM	DESCRIPTION	QUANTITY
A	Nightstand	1
B	Legs	4

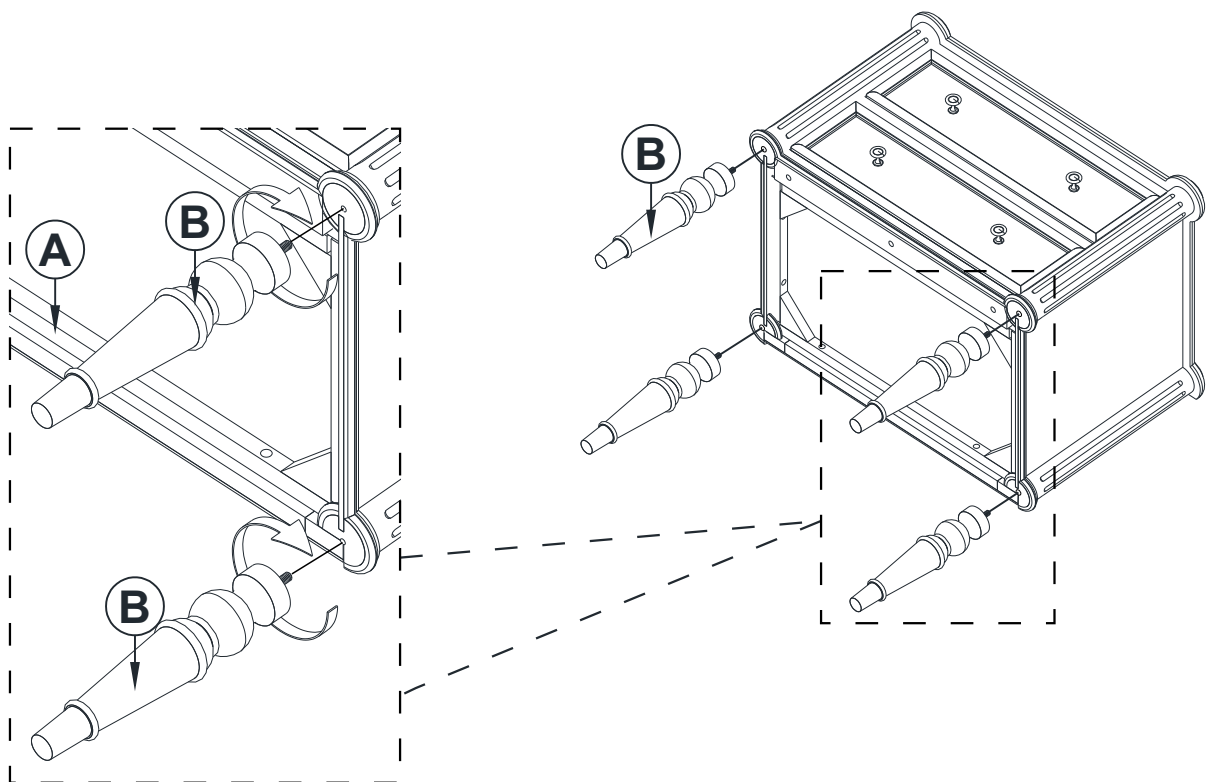


STEP 1



STEP 2

Attach Legs (B) to Nightstand (A) clockwise to tighten as shown below.





### **Congratulations**

Assembly complete, Your Nightstand is ready to use.

### **(\* Caution : DO NOT OVERTIGHTEN**

**In any correspondence regarding this product, please include the complete Butler identification number located on the underside of the product.**

**We hope this product will be a useful and decorative addition to your home for years to come.**

**Copyright© Butler Specialty Company, 05 / 25**